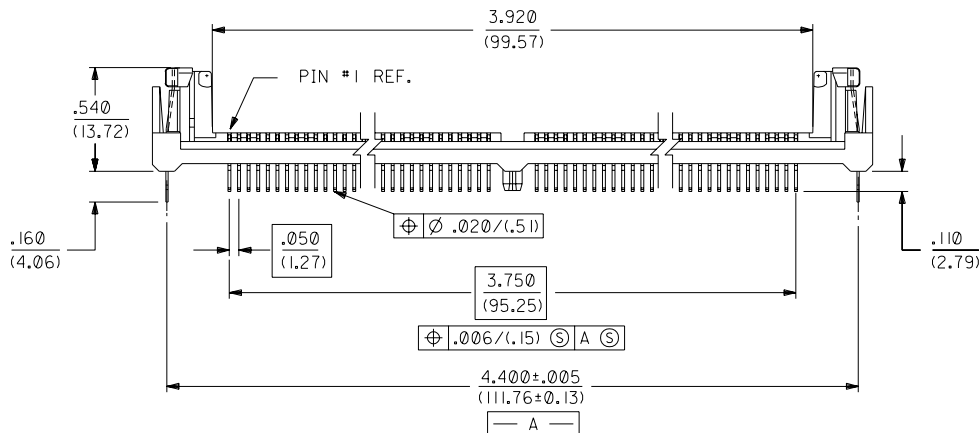
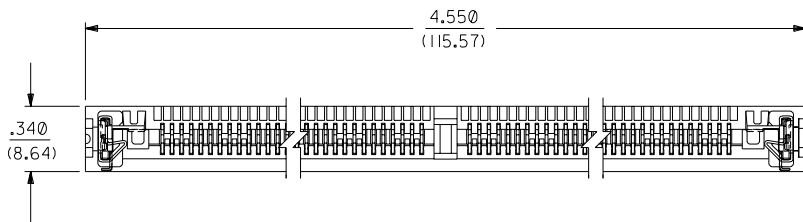


"SIMM" P.C. BOARD LAYOUT



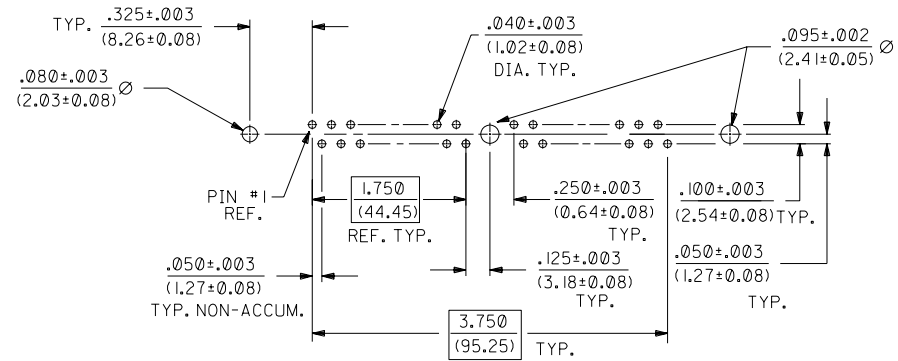
*THE PRIMARY SHIPPING CARTON WILL BE LABELED "COMPLIANT TO RoHS DIRECTIVE 2002/95/EC AND ELV ANNEX II OF DIRECTIVE 2000/53/EC" CARTONS WITHOUT THIS LABEL MAY CONTAIN PRODUCT WITH LEAD.

- NOTES:
1. CARD SLOT ACCEPTS $.050 + .004 / -.003$ P.C. BOARDS (MEASURED OVER P.C. PADS).
 2. PRODUCT SPEC PS-78954 APPLIES
 3. CENTER PEG IS AN INTERFERENCE FIT TO PCB UNLESS NOTED ON THE DWG. (APPLICABLE ONLY IF PART HAS A CENTER PEG FEATURE)

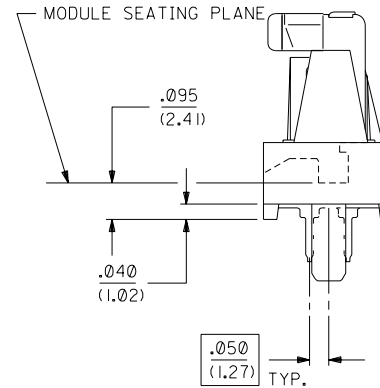
MATERIALS:

- HOUSING- LCP, GLASS FILLED, 94V-0, COLOR: BLACK
- TERMINAL- PHOSPHOR BRONZE
- PLATING- POST PLATED $200 \mu\text{in}$ (5.08 μm) MINIMUM TIN IN CONTACT AREA AND $150 \mu\text{in}$ (3.81 μm) MINIMUM TIN IN TAIL AREA OVER $50 \mu\text{in}$ (1.27 μm) MINIMUM NICKEL OVERALL
- * REFERENCE NOTE IN LOWER LEFT CORNER OF DRAWING.

METAL LATCH- STAINLESS STEEL



RECOMMENDED SOCKET P.C. BOARD HOLE PATTERN



END VIEW SCALE 4:1

G	LEAD FREE UCP2004-1582 RWHITE 04/02/24
F	REVISED PER ECR U51309 GMY 8-18-95
E	CHG. TAIL LENGTH PER ECR U6-0102 DRS 07/28/95
D	CHG. TAIL LENGTH PER ECR U5-1246 DRS 06/13/95
C	REDRAWN PER ECR U20649 AMD 6-10-92
B	REVISED/UPDATED PER ECR U0-0647 SEC 9-21-90
A	ADDED EDP PER ECR 30152 KER 7-23-90
I	X-RELEASE PER ECR 30151 KER 7-13-90

DIMENSIONS SHOWN (METRIC) INCH		UNLESS OTHERWISE SPECIFIED TOLERANCES: ANGULAR $\pm 1/2^\circ$	
3 PLACE	$\pm .010$	---	---
2 PLACE	$\pm .014$	± 0.25	---
1 PLACE	---	± 0.35	---
DRAFT WHERE APPLICABLE MUST REMAIN WITHIN DIMENSIONS			
DRWG. BY: KER	CHK'D. BY:	FILE NAME: S70562K39	SCALE: 2:1
TITLE: SALES ASSEMBLY 72 CIRCUIT, METAL LATCH VERTICAL SIMM SOCKET		SHEET NO. 1 OF 1 DATE 07/13/90	
PART NO. 15-82-0775		DRWG. NO. SDA-78962-7231	
THIS DRAWING CONTAINS INFORMATION THAT IS PROPRIETARY TO MOLEX INC. AND SHOULD NOT BE USED WITHOUT WRITTEN PERMISSION.			